

StLM - GSX-Srt  
Kw Koningin Elisabeth  
Everestraat, 1  
1140 BRUSSEL

Tf : Mil 9(2)24003097 RTT : (02)7013097  
Fax : Mil 9(2)24006797 RTT : (02)7016797

De *02 Jun 94* 44  
Nr  
Al Pag (Incl. deze) 8

Van : *GSX*

Aan : *Krijgsnadietorunt en t.a.v. :  
Krijgsraad te Brussel* *J*

Fax Nr : *02/5086085*

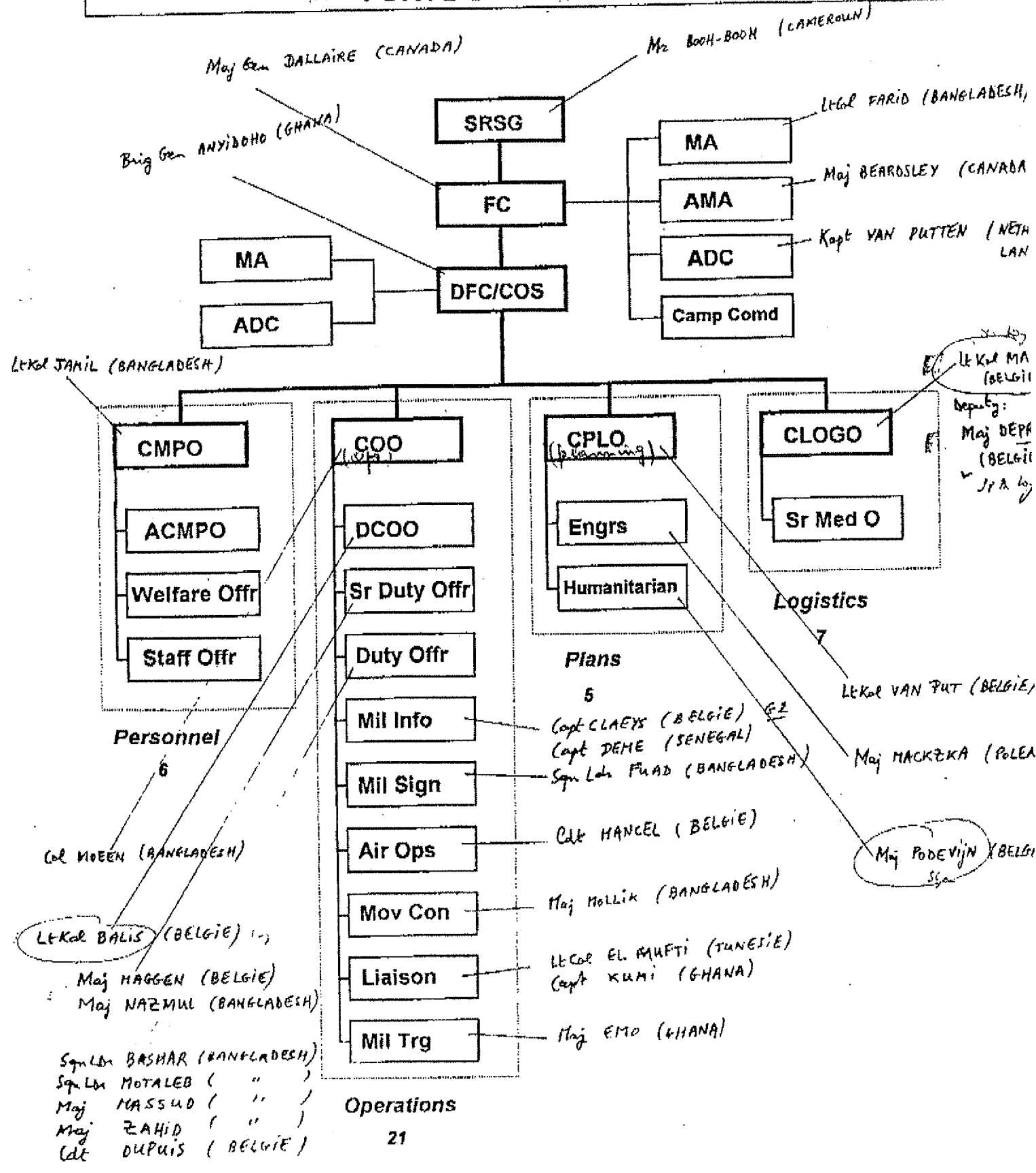
ONDERWERP : *Int COMMISSIE KISALI*

Ref :

*In bijlage de gevraagde inlichtingen.*

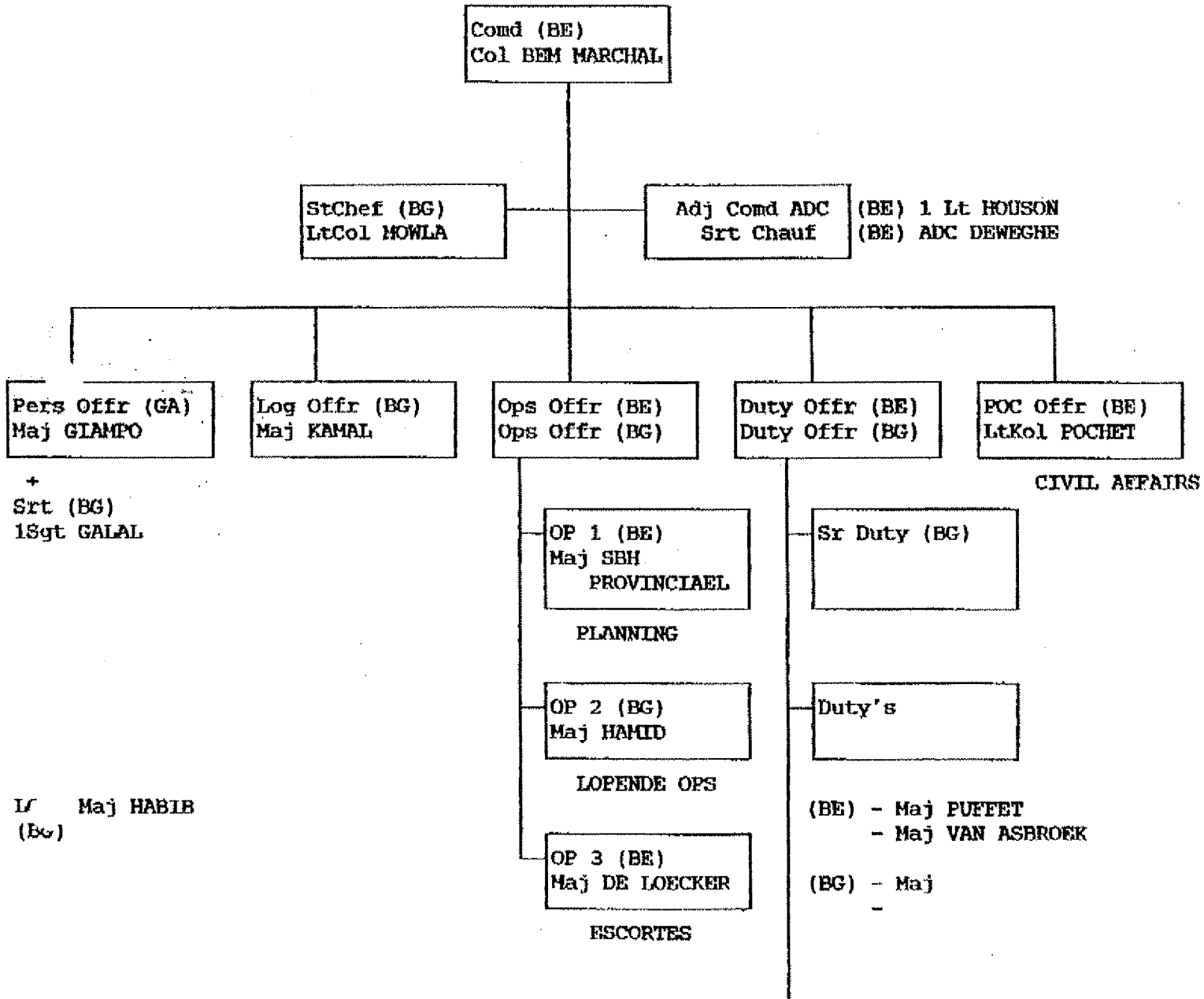
*[Signature]*  
**Y. NEVEN**  
Kapt - Capt  
Off Adj GSX

# DETAILED ORGANIZATION OF FORCE HEADQUARTERS



4/6

SECTOR HK KIGALI

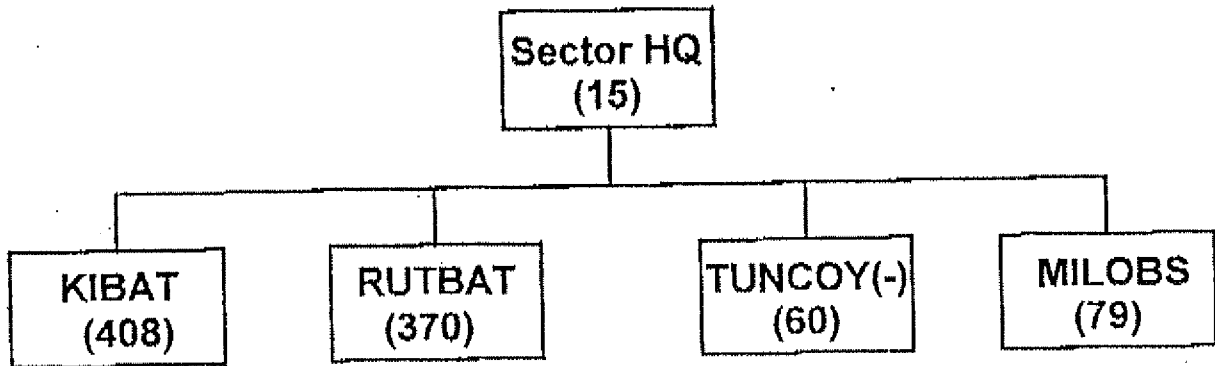


BE = BELGIQUE  
 BG = BANGLADESH  
 GA = GHANA

2  
47

ANNEX B TO  
BRIEF ON KIGALI SECTOR

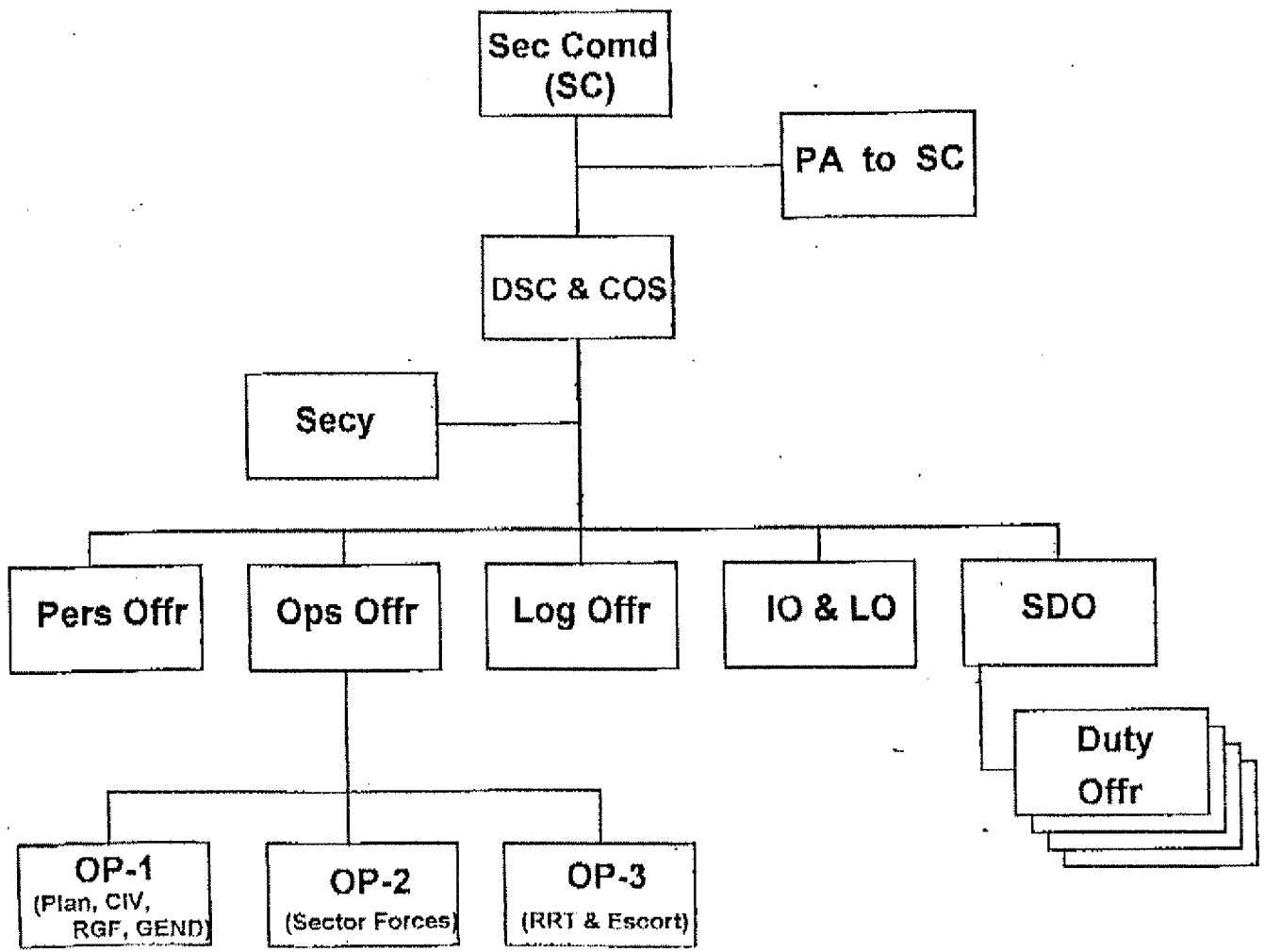
**ORGANOGRAM  
OF  
KIGALI SECTOR**



2  
48

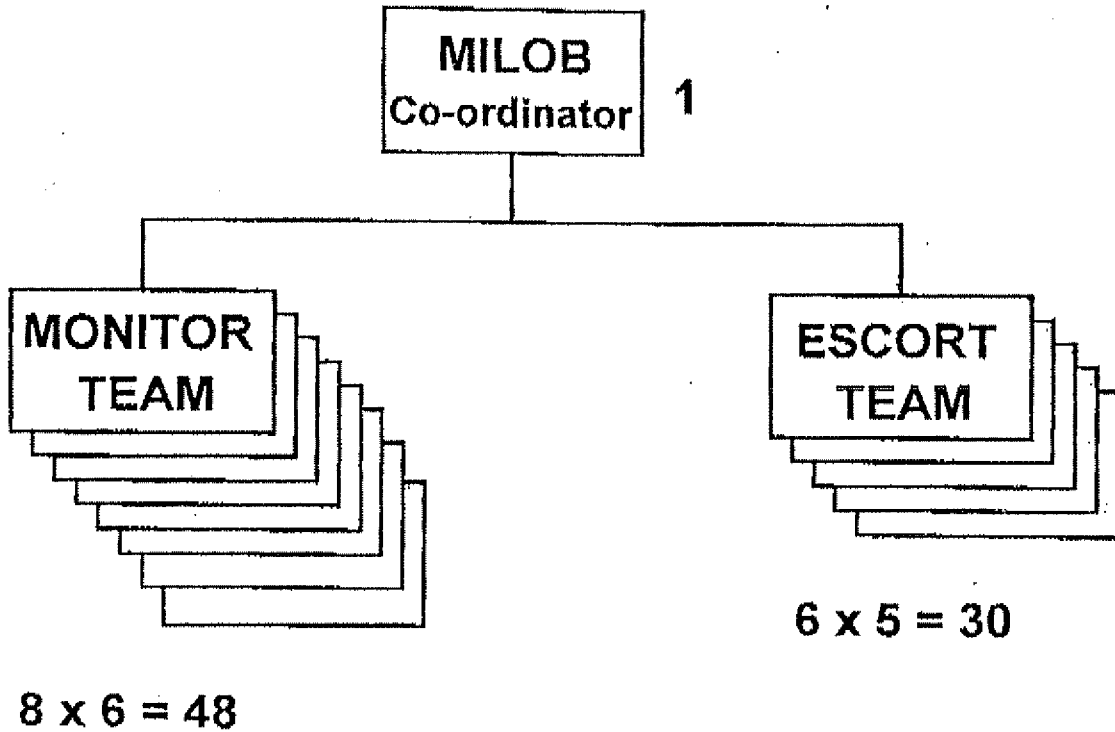
ANNEX C TO  
BRIEF ON KIGALI SECTOR

# ORGANOGRAM OF SECTOR HQ KIGALI



3  
49

# ORGANOGRAM OF KIGALI SECTOR MILOB



### KIGALI SECTOR HQ

FONCTION	GRADE	NATION	NOM	MEP	RMK
Sector Comdr	Col	BE	MARCHAL	04 Dec (TBC)	
Deputy SC	Lt Col	BD		Fin Nov	
Senior Pers Offr	Maj	GHA		Fin Nov	
Senior Ops Offr	Maj	BE	KESTELOOT	en place	
Senior Duty Offr	Maj	BD		Fin Nov	
Duty Offr	Maj	BD		Fin Nov	
Duty Offr	Maj	BE	VAN ASSBROECK	04 Dec	
Duty Offr --	Maj	BD		Fin Nov	
Duty Offr	Maj	BE	PUFFET	04 Dec	
Sector Log Offr	Maj	BD		Fin Nov	
Liaison Offr	Maj	BD		Fin Nov	
Rapid Reaction team leader	Maj	BE	DE LOEKER	04 Dec	
Rapid reaction team member	Maj	BD		Fin Nov	
Clerk/typist	NCO	BD		Fin Nov	

14 = 5 BE + 8 BD + 1 GHA

S  
51

<u>SER</u>	<u>POSITION</u>	<u>RANK</u>	<u>1 NOV</u>	<u>END NOV</u>	<u>END JAN</u>
<u>LOGISTICS SECTION</u>					
33.	CHIEF LOGISTICS OFFICER	LCOL	TUNISIA		R-PAKISTAN
34.	ASSISTANT CLO (ACLO)	MAJ	POLAND		R-BELGIUM
35.	STAFF OFFICER (SO)	MAJ*		PAKISTAN	
36.	STAFF OFFICER (SO)	MAJ*		BANGLADESH	
37.	STAFF OFFICER (SO)	MAJ*		GHANA	
38.	SENIOR MEDICAL OFFICER	MAJ	BANGLA		R-MEDICAL
39.	MEDICAL OFFICER	CAPT			R-MEDICAL
<u>LIAISON SECTION</u>					
40.	CHIEF LIAISON OFFICER	LCOL	BANGLA	R-BELGIUM	
41.	LIAISON OFFICER	MAJ	BANGLA		R-BANGLA
42.	LIAISON OFFICER	MAJ	POLAND		R-GHANA
43.	LIAISON OFFICER	MAJ		TUNISIA	
64.	CLERK/TYPIST	NCO		GHANA	
<u>MILOB GP HQ</u>					
65.	CLERK/TYPIST	NCO		BANGLA	

KIGALI SECTOR HEADQUARTERS

<u>SER</u>	<u>POSITION</u>	<u>RANK</u>	<u>1 NOV</u>	<u>END NOV</u>	<u>END JAN</u>
44.	SECTOR COMMANDER (SC)	COL		BELGIUM	
45.	DEPUTY SC (DSC)	LCOL		BANGLA	
46.	SECTOR PERSONNEL OFFICER	MAJ		GHANA	
47.	SECTOR OPERATIONS (OPSO)	MAJ		BELGIUM	
48.	SENIOR DUTY OFFICER (SDO)	MAJ		BANGLA	
49.	DUTY OFFICER (DO)	MAJ*		BANGLA	
50.	DUTY OFFICER (DO)	MAJ*		BELGIUM	
51.	DUTY OFFICER (DO)	MAJ*		BANGLA	
52.	DUTY OFFICER (DO)	MAJ*		BELGIUM	
53.	SECTOR LOGISTICS OFFICER	MAJ		BANGLA	
55.	LIAISON OFFICER (LO)	MAJ*		BANGLA	
57.	RAPID REACTION TM LEADER	MAJ		BELGIUM	
58.	RAPID REACTION TM MEMBER	MAJ*		BANGLA	
66.	CLERK/TYPIST	NCO		BANGLA	